

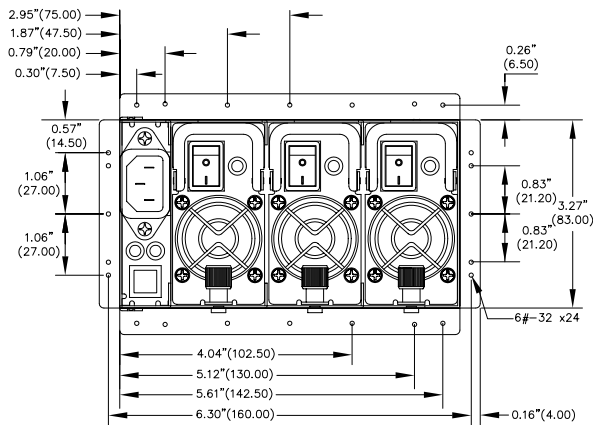
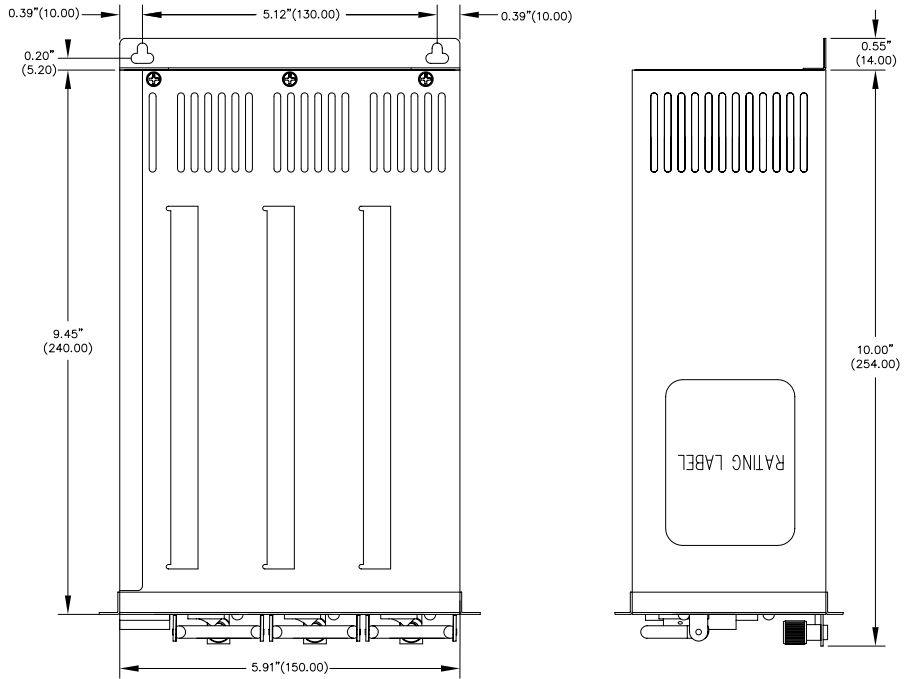
Rear View

CON7			
1	+5V	13	BUZZER RESET
2	PS1 GOOD LED	14	GND
3	PS2 GOOD LED	15	GND
4	PS3 GOOD LED	16	GND
5	N/A	17	GND
6	PS ONE FAIL LED	18	GND
7	PS ALL GOOD LED	19	GND
8	TTL SIGNAL	20	GND
9	N/A	21	GND
10	PS2 PG SIGNAL	22	GND
11	PS3 PG SIGNAL	23	GND
12	PS1 PG SIGNAL	24	GND

CON8			
1	FAN	SIGNAL	PS1
2	FAN	SIGNAL	PS2
3	FAN	SIGNAL	PS3
4	N/A		

CON7:
MOLEX 10-88-1241 OR EQU.

CON8:
MOLEX 22-28-4040 OR EQU.



CWT Channel Well Technology CO., LTD.

APPROVED
TUNGPO

CHECKED
JASPER

DRAWING NO.
Q-3V-AC08

UNIT
INCHES(MM)

REV.
0.2

TITLE
PS2 SLIM, 2+1 V TYPE, AC I/P, 460W(650W) O/P

DESIGNED
CHEFON

DRAWING
JOLN

MODEL NO.
PRB460(650)QV-J5

TOLERANCES:
.X=±0.2
.XX=±0.15

SHEET
1/1