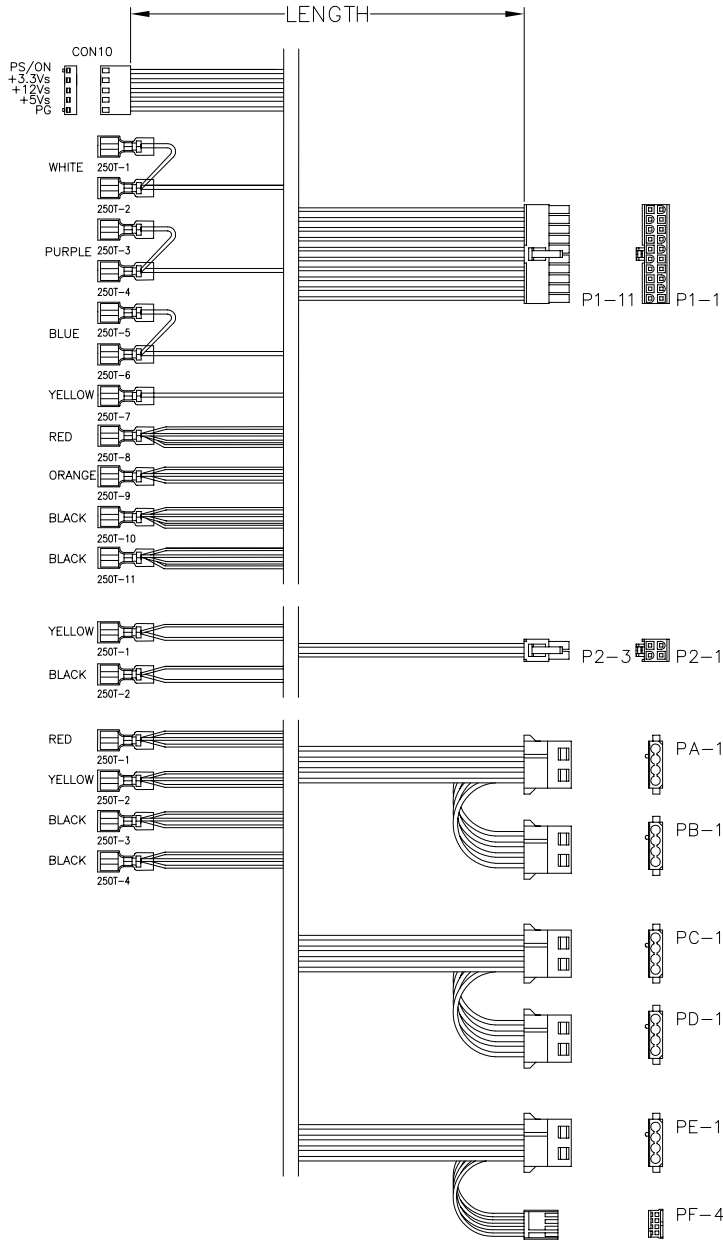


FIG-1: DC OUTPUT CONNECTOR



| CONN | PIN | WIRE COLOR | OUTPUT | LENGTH |
|-------------|-----|------------|-----------|----------------------|
| P1 | 1 | ORANGE | +3.3V, S+ | 20.0±1.0 (510±25) |
| | | ORANGE | +3.3V | |
| | 2 | ORANGE | +3.3V | |
| | 3 | BLACK | GND | |
| | 4 | RED | +5V | |
| | 5 | BLACK | GND | |
| | 6 | RED | +5V | |
| | 7 | BLACK | GND | |
| | 8 | GRAY | PG | |
| | 9 | PURPLE | +5Vsb | |
| | 10 | YELLOW | +12V | |
| | | YELLOW | +12Vs | |
| | 11 | ORANGE | +3.3V | |
| | 12 | BLUE | -12V | |
| | 13 | BLACK | GND | |
| | 14 | GREEN | PS-ON | |
| | 15 | BLACK | GND | |
| | 16 | BLACK | GND | |
| | 17 | BLACK | GND | |
| | 18 | WHITE | -5V | |
| 19 | RED | +5V | | |
| 20 | RED | +5V | | |
| | RED | +5Vs | | |
| P2 | 1 | BLACK | GND | |
| | 2 | BLACK | GND | |
| | 3 | YELLOW | +12V | |
| | 4 | YELLOW | +12V | |
| PA,PC PE | 1 | YELLOW | +12V | 6.0±0.5 (150±12) |
| | 2 | BLACK | GND | |
| | 3 | BLACK | GND | |
| | 4 | RED | +5V | |
| PB,PD | 1 | YELLOW | +12V | |
| | 2 | BLACK | GND | |
| | 3 | BLACK | GND | |
| | 4 | RED | +5V | |
| PF | 1 | RED | +5V | |
| | 2 | BLACK | GND | |
| | 3 | BLACK | GND | |
| | 4 | YELLOW | +12V | |

NOTE:

P1:
HOUSING: MOLEX 39-01-2200 OR EQU
TERMINAL: MOLEX 39-00-0060

P2:
HOUSING: MOLEX 39-01-2040 OR EQU
TERMINAL: MOLEX 39-00-0060

PA,PB,PC,PD,PE:
HOUSING: AMP 1-480424-0 OR EQU
TERMINAL: AMP 60619-4

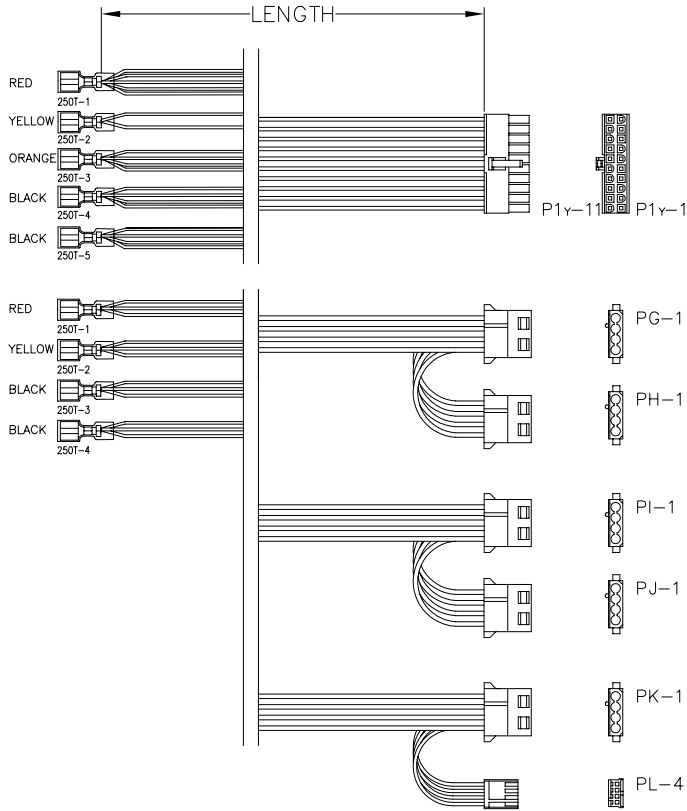
PF:
HOUSING: AMP 171822-4 OR EQU
TERMINAL: AMP 170262-2

CON10: WST P5-I25004 OR EQU

ALL TERMINALS ARE PHOS. BRONZE, PRE-TIN

| | | | | | |
|--|---------------------------------------|--------------------|-------------------------|-----------------------|---------------------------------------|
| | APPROVED TUNGPO | CHECKED JASPER | DRAWING NO. R-H-6-02 | UNIT INCHES(MM) | REV. |
| | TITLE PRB SERIES - ATX 6 O/P CABLE | DESIGNED CHEFON | DRAWING JOLN | MODEL NO. PRB910MH | TOLERANCES: .X= ±0.2 .XX= ±0.15 |

FIG-1: DC OUTPUT CONNECTOR



| CONN | PIN | WIRE COLOR | OUTPUT | LENGTH |
|-------------|-----|------------|--------|----------------------|
| P1γ | 1 | ORANGE | +3.3V | 20.0±1.0 (510±25) |
| | 2 | ORANGE | +3.3V | |
| | 3 | BLACK | GND | |
| | 4 | RED | +5V | |
| | 5 | BLACK | GND | |
| | 6 | RED | +5V | |
| | 7 | BLACK | GND | |
| | 8 | NC | NC | |
| | 9 | NC | NC | |
| | 10 | YELLOW | +12V | |
| | 11 | ORANGE | +3.3V | |
| | 12 | NC | NC | |
| | 13 | BLACK | GND | |
| | 14 | NC | NC | |
| | 15 | BLACK | GND | |
| | 16 | BLACK | GND | |
| | 17 | BLACK | GND | |
| | 18 | NC | NC | |
| | 19 | RED | +5V | |
| | 20 | RED | +5V | |
| PG,PI PK | 1 | YELLOW | +12V | 6.0±0.5 (150±12) |
| | 2 | BLACK | GND | |
| | 3 | BLACK | GND | |
| | 4 | RED | +5V | |
| PH,PJ | 1 | YELLOW | +12V | 6.0±0.5 (150±12) |
| | 2 | BLACK | GND | |
| | 3 | BLACK | GND | |
| | 4 | RED | +5V | |
| PL | 1 | RED | +5V | 6.0±0.5 (150±12) |
| | 2 | BLACK | GND | |
| | 3 | BLACK | GND | |
| | 4 | YELLOW | +12V | |

NOTE:

P1γ:

HOUSING: MOLEX 39-01-2200 OR EQU

TERMINAL: MOLEX 39-00-0060

PG,PH,PI,PJ,PK:

HOUSING: AMP 1-480424-0 OR EQU

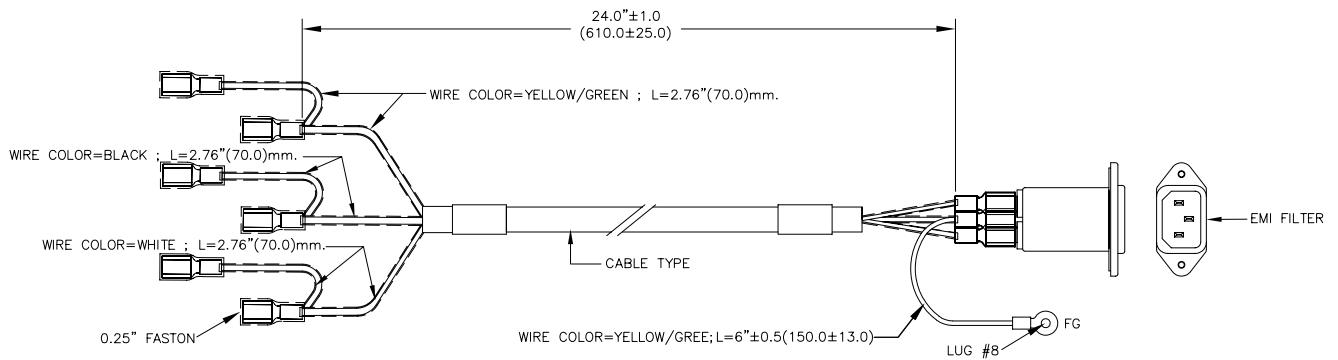
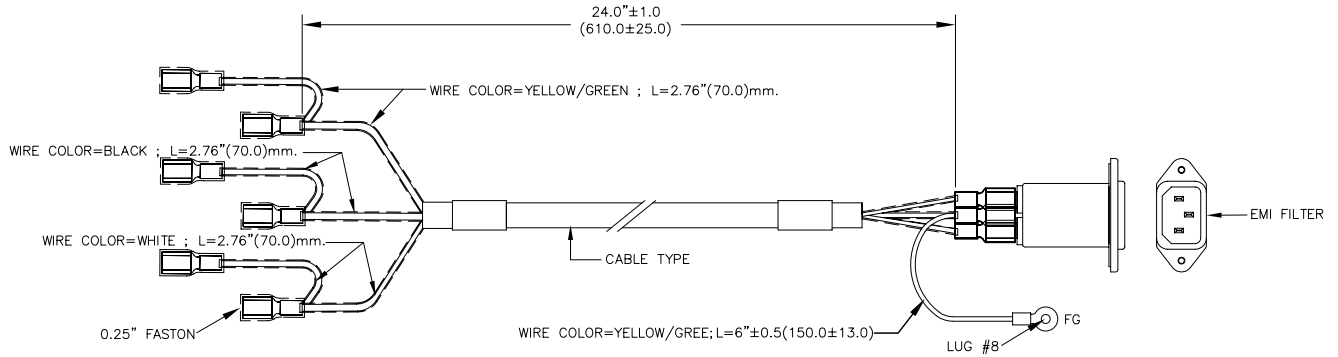
TERMINAL: AMP 60619-4

PL:

HOUSING: AMP 171822-4 OR EQU

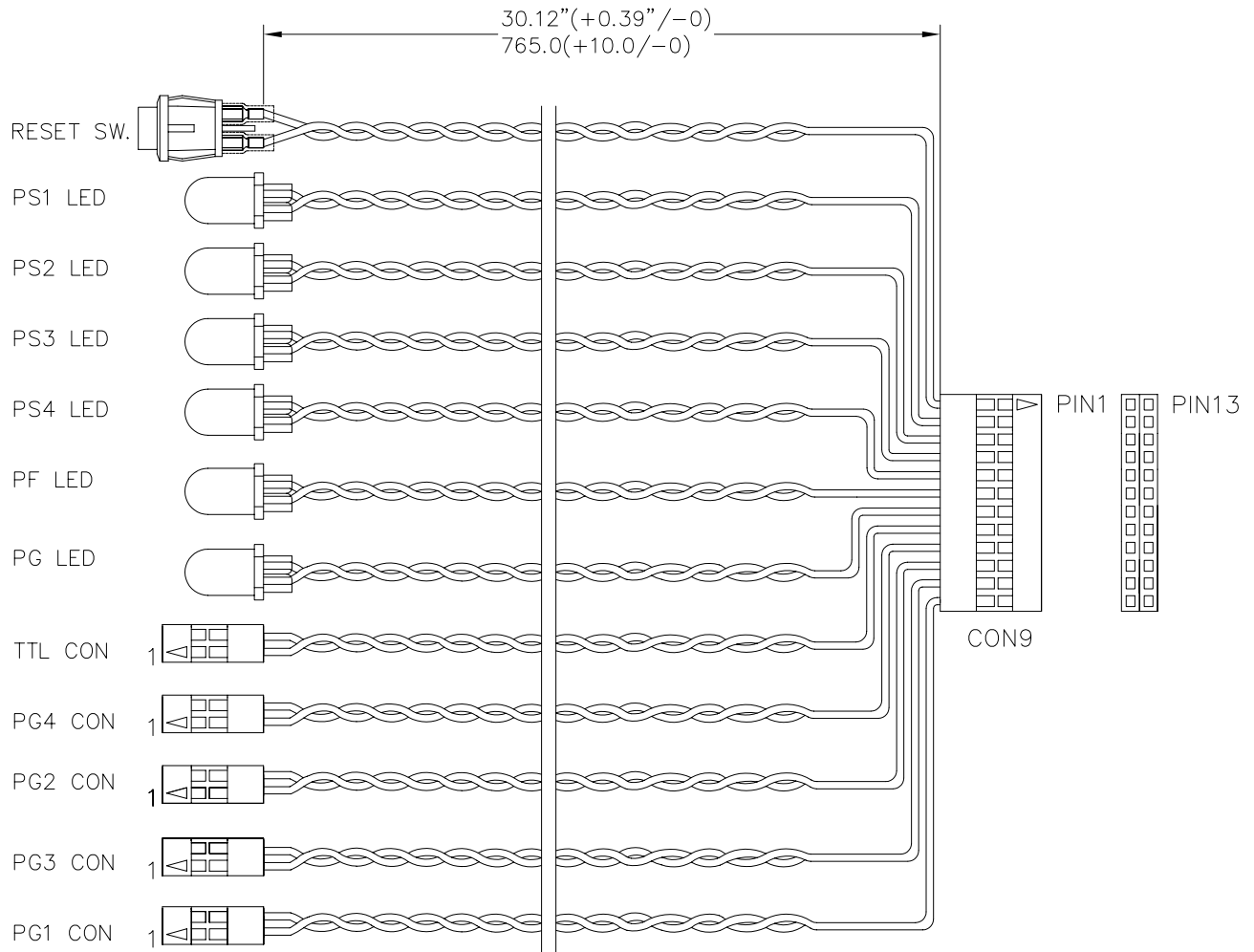
TERMINAL: AMP 170262-2

ALL TERMINALS ARE PHOS. BRONZE, PRE-TIN



NOTE:

1. EMI FILTER: 10GEEG3E(SE) (Delta).
2. 0.25" FASTON: STO-61T-250N(JST).
3. CABLE TYPE: UL 2464 18AWG 80°C 300V.
4. GND LUG: B40403BS-2(WST) OR EQU.



CON9

| PIN | COLOR | OUTPUT | PIN | COLOR | OUTPUT |
|-----|-------|-------------------|-----|--------|-------------------|
| 1 | BLACK | 187T TO RESET SW. | 13 | RED | 187T TO RESET SW. |
| 2 | BLACK | PS1 LED- | 14 | YELLOW | PS1 LED+ |
| 3 | BLACK | PS2 LED- | 15 | GREEN | PS2 LED+ |
| 4 | BLACK | PS3 LED- | 16 | RED | PS3 LED+ |
| 5 | BLACK | PS4 LED- | 17 | BROWN | PS4 LED+ |
| 6 | BLACK | PF LED- | 18 | BLUE | PF LED+ |
| 7 | BLACK | PG LED- | 19 | ORANGE | PG LED+ |
| 8 | BLACK | TTL CON PIN2 | 20 | WHITE | TTL CON PIN1 |
| 9 | BLACK | PG4 CON PIN2 | 21 | BROWN | PG4 CON PIN1 |
| 10 | BLACK | PG2 CON PIN2 | 22 | YELLOW | PG2 CON PIN1 |
| 11 | BLACK | PG3 CON PIN2 | 23 | RED | PG3 CON PIN1 |
| 12 | BLACK | PG1 CON PIN2 | 24 | GREEN | PG1 CON PIN1 |

NOTES:

- 1.TTL,PG1,PG2,PG3,PG4: MOLEX 50579002(70066) OR EQU.
- 2.CON9: MOLEX 22-55-2241(70450) OR EQU.
- 3.RESET SW.: JEC JS-756B OR EQU.
- 4.PS1,PS2,PS3,PS4,PF,PG: LED SPEC.-Ø5.0 GREEN.
- 5.WIRE SPEC.:UL 1007 24AWG 80°C 300V.

| | | | | | |
|-----------------------------------|----------|---------|-------------|------------------------|-------|
| | APPROVED | CHECKED | DRAWING NO. | UNIT | REV. |
| | TUNGPO | JASPER | S-03 | INCHES(MM) | |
| TITLE | DESIGNED | DRAWING | MODEL NO. | TOLERANCES: | SHEET |
| PRB SERIES-SIGNAL O/P CABLE (3+1) | CHEFON | JOLN | PRB 3+1 | .X= ±0.2 .XX= ±0.15 | 1/1 |