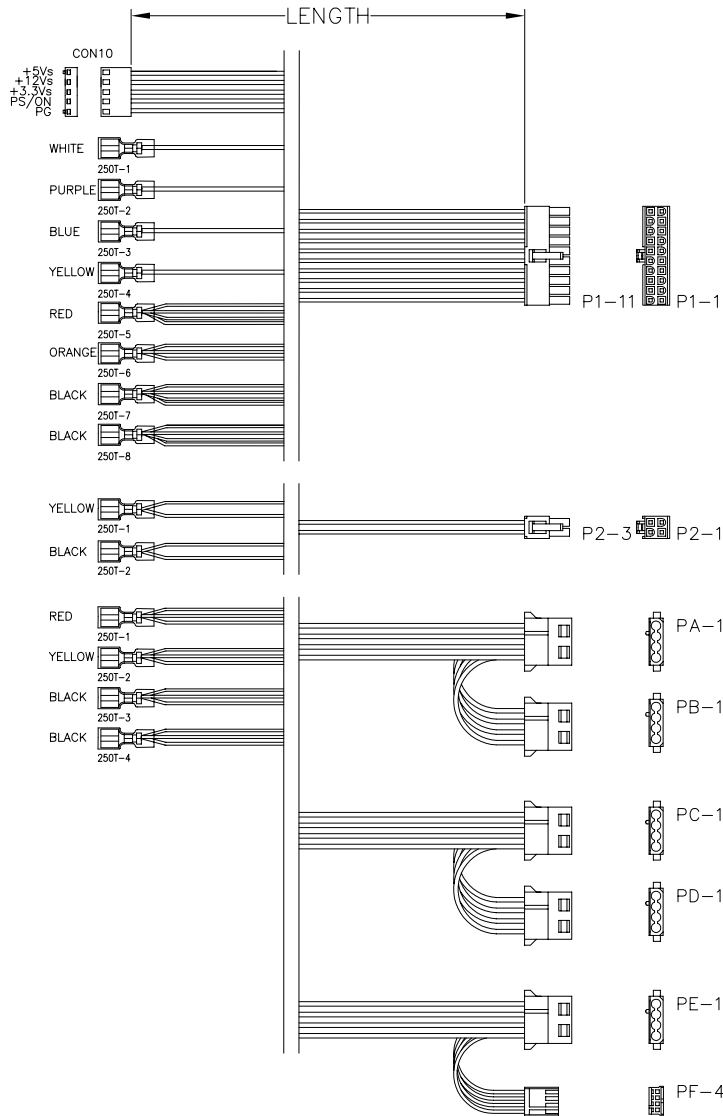


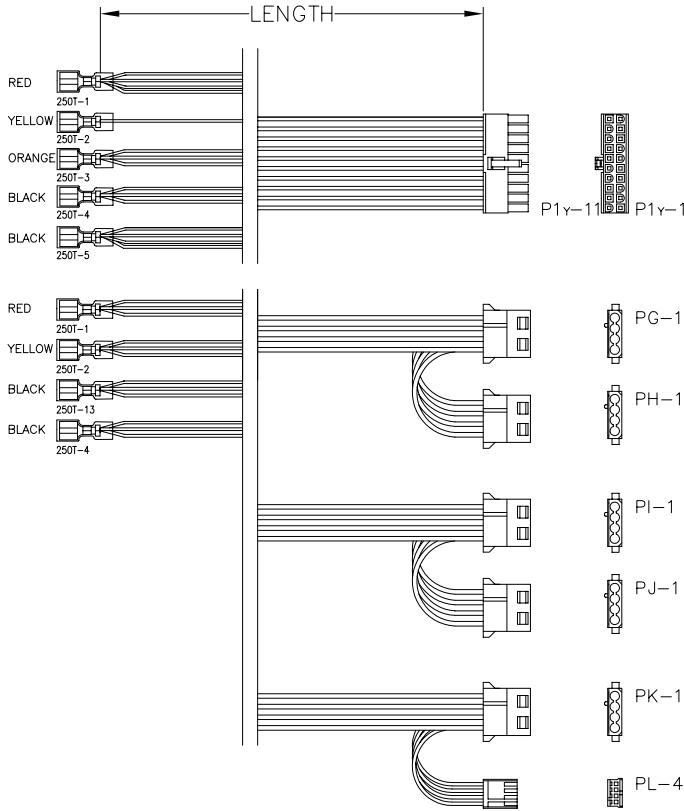
FIG-1: DC OUTPUT CONNECTOR



CONN	PIN	WIRE COLOR	OUTPUT	LENGTH
P1	1	ORANGE	+3.3V, S+	20.0±1.0 (510±25)
		ORANGE	+3.3V	
	2	ORANGE	+3.3V	
	3	BLACK	GND	
	4	RED	+5V	
	5	BLACK	GND	
	6	RED	+5V	
	7	BLACK	GND	
	8	GRAY	PG	
	9	PURPLE	+5Vsb	
	10	YELLOW	+12V	
		YELLOW	+12Vs	
	11	ORANGE	+3.3V	
	12	BLUE	-12V	
	13	BLACK	GND	
	14	GREEN	PS-ON	
	15	BLACK	GND	
	16	BLACK	GND	
	17	BLACK	GND	
	18	WHITE	-5V	
19	RED	+5V		
20	RED	+5V		
	RED	+5Vs		
P2	1	BLACK	GND	6.0±0.5 (150±12)
	2	BLACK	GND	
	3	YELLOW	+12V	
	4	YELLOW	+12V	
PA,PC PE	1	YELLOW	+12V	6.0±0.5 (150±12)
	2	BLACK	GND	
	3	BLACK	GND	
	4	RED	+5V	
PB,PD	1	YELLOW	+12V	6.0±0.5 (150±12)
	2	BLACK	GND	
	3	BLACK	GND	
	4	RED	+5V	
PF	1	RED	+5V	6.0±0.5 (150±12)
	2	BLACK	GND	
	3	BLACK	GND	
	4	YELLOW	+12V	

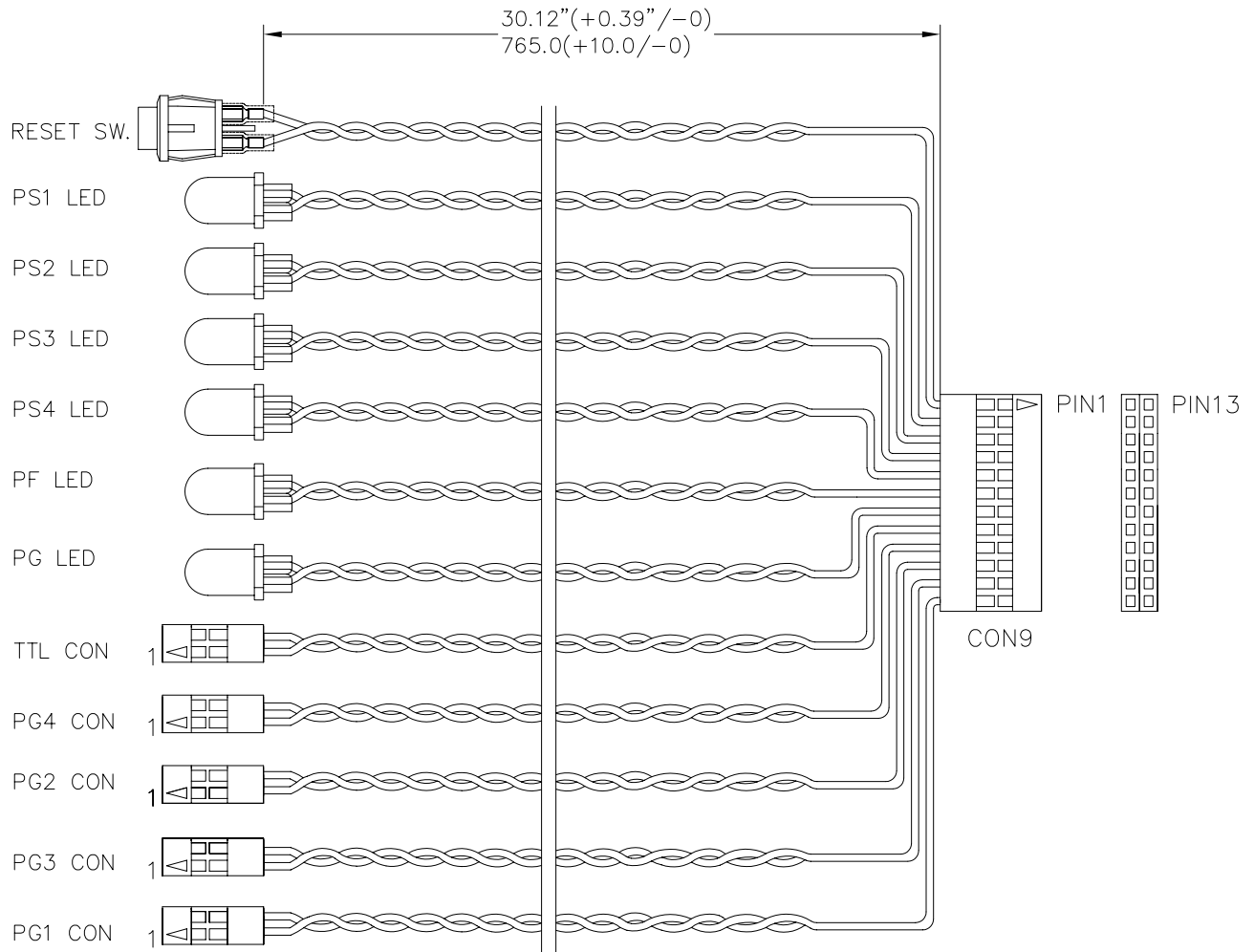
NOTE:
P1:
HOUSING: MOLEX 39-01-2200 OR EQU
TERMINAL: MOLEX 39-00-0060
P2:
HOUSING: MOLEX 39-01-2040 OR EQU
TERMINAL: MOLEX 39-00-0060
PA,PB,PC,PD,PE:
HOUSING: AMP 1-480424-0 OR EQU
TERMINAL: AMP 60619-4
PF:
HOUSING: AMP 171822-4 OR EQU
TERMINAL: AMP 170262-2
CON10: WST P5-125004 OR EQU
ALL TERMINALS ARE PHOS. BRONZE, PRE-TIN

FIG-1: DC OUTPUT CONNECTOR



CONN	PIN	WIRE COLOR	OUTPUT	LENGTH
P1γ	1	ORANGE	+3.3V	20.0±1.0 (510±25)
	2	ORANGE	+3.3V	
	3	BLACK	GND	
	4	RED	+5V	
	5	BLACK	GND	
	6	RED	+5V	
	7	BLACK	GND	
	8	NC	NC	
	9	NC	NC	
	10	YELLOW	+12V	
	11	ORANGE	+3.3V	
	12	NC	NC	
	13	BLACK	GND	
	14	NC	NC	
	15	BLACK	GND	
	16	BLACK	GND	
	17	BLACK	GND	
	18	NC	NC	
	19	RED	+5V	
	20	RED	+5V	
PG,PI PK	1	YELLOW	+12V	6.0±0.5 (150±12)
	2	BLACK	GND	
	3	BLACK	GND	
	4	RED	+5V	
PH,PJ	1	YELLOW	+12V	6.0±0.5 (150±12)
	2	BLACK	GND	
	3	BLACK	GND	
	4	RED	+5V	
PL	1	RED	+5V	6.0±0.5 (150±12)
	2	BLACK	GND	
	3	BLACK	GND	
	4	YELLOW	+12V	

NOTE:
P1γ:
HOUSING: MOLEX 39-01-2200 OR EQU
TERMINAL: MOLEX 44476-3111/44476-1111
PG,PH,PI,PJ,PK:
HOUSING: AMP 1-480424-0 OR EQU
TERMINAL: AMP 61117-4
PL:
HOUSING: AMP 171822-4 OR EQU
TERMINAL: AMP 170262-2



CON9

PIN	COLOR	OUTPUT	PIN	COLOR	OUTPUT
1	BLACK	187T TO RESET SW.	13	RED	187T TO RESET SW.
2	BLACK	PS1 LED-	14	YELLOW	PS1 LED+
3	BLACK	PS2 LED-	15	GREEN	PS2 LED+
4	BLACK	PS3 LED-	16	RED	PS3 LED+
5	BLACK	PS4 LED-	17	BROWN	PS4 LED+
6	BLACK	PF LED-	18	BLUE	PF LED+
7	BLACK	PG LED-	19	ORANGE	PG LED+
8	BLACK	TTL CON PIN2	20	WHITE	TTL CON PIN1
9	BLACK	PG4 CON PIN2	21	BROWN	PG4 CON PIN1
10	BLACK	PG2 CON PIN2	22	YELLOW	PG2 CON PIN1
11	BLACK	PG3 CON PIN2	23	RED	PG3 CON PIN1
12	BLACK	PG1 CON PIN2	24	GREEN	PG1 CON PIN1

NOTES:

- 1.TTL,PG1,PG2,PG3,PG4: MOLEX 50579002(70066) OR EQU.
- 2.CON9: MOLEX 22-55-2241(70450) OR EQU.
- 3.RESET SW.: JEC JS-756B OR EQU.
- 4.PS1,PS2,PS3,PS4,PF,PG: LED SPEC.-Ø5.0 GREEN.
- 5.WIRE SPEC.:UL 1007 24AWG 80°C 300V.

	APPROVED	CHECKED	DRAWING NO.	UNIT	REV.
	TUNGPO	JASPER	S-03	INCHES(MM)	
TITLE	DESIGNED	DRAWING	MODEL NO.	TOLERANCES:	SHEET
PRB SERIES-SIGNAL O/P CABLE (3+1)	CHEFON	JOLN	PRB 3+1	.X= ±0.2 .XX= ±0.15	1/1