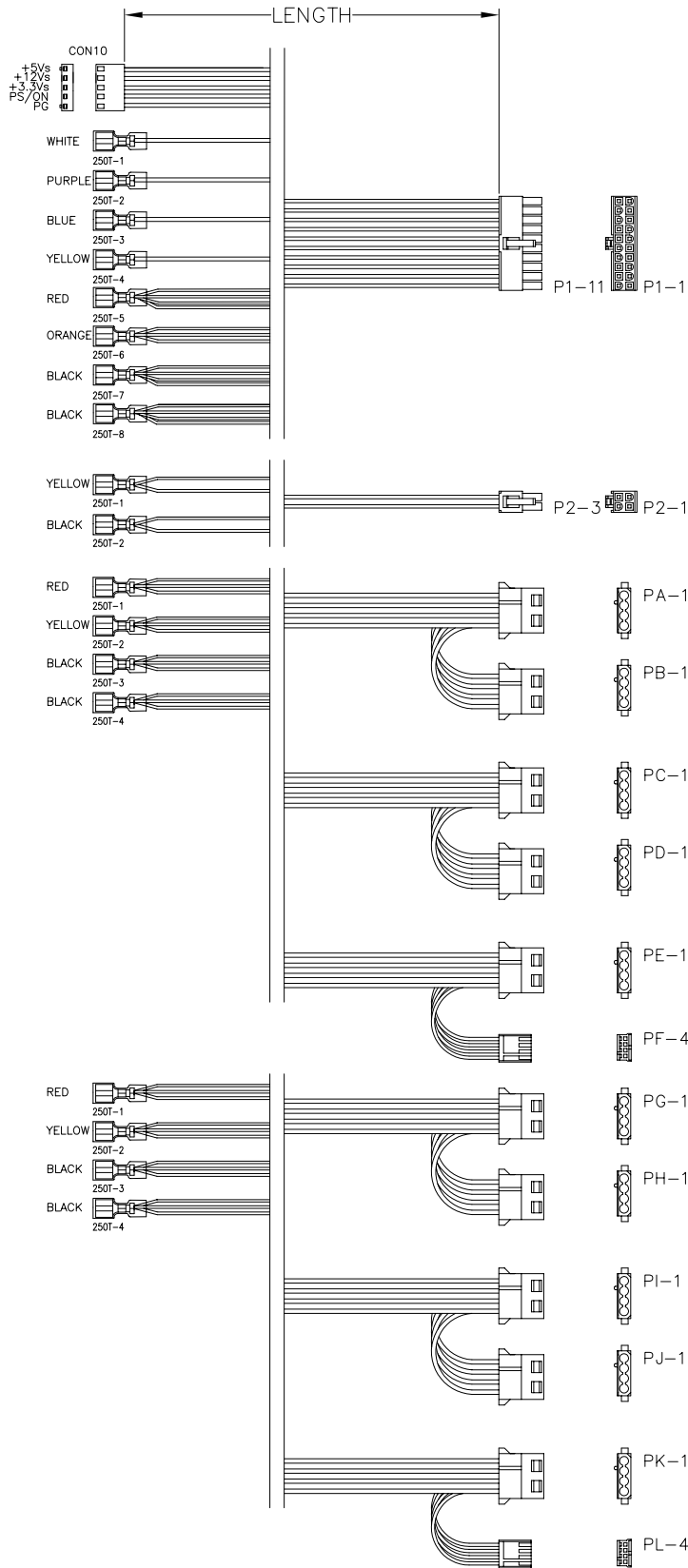


FIG-1: DC OUTPUT CONNECTOR



CONN	PIN	WIRE COLOR	OUTPUT	LENGTH
P1	1	ORANGE	+3.3V, S+	20.0±1.0 (510±25)
		ORANGE	+3.3V	
	2	ORANGE	+3.3V	
	3	BLACK	GND	
	4	RED	+5V	
	5	BLACK	GND	
	6	RED	+5V	
	7	BLACK	GND	
	8	GRAY	PG	
	9	PURPLE	+5Vsb	
	10	YELLOW	+12V	
		YELLOW	+12Vs	
	11	ORANGE	+3.3V	
	12	BLUE	-12V	
	13	BLACK	GND	
	14	GREEN	PS-ON	
	15	BLACK	GND	
	16	BLACK	GND	
	17	BLACK	GND	
	18	WHITE	-5V	
19	RED	+5V		
20	RED	+5V		
	RED	+5Vs		
P2	1	BLACK	GND	6.0±0.5 (150±12)
	2	BLACK	GND	
	3	YELLOW	+12V	
	4	YELLOW	+12V	
PA,PC PE,PG PI,PK	1	YELLOW	+12V	6.0±0.5 (150±12)
	2	BLACK	GND	
	3	BLACK	GND	
	4	RED	+5V	
PB,PD PH,PJ	1	YELLOW	+12V	6.0±0.5 (150±12)
	2	BLACK	GND	
	3	BLACK	GND	
	4	RED	+5V	
PF,PL	1	RED	+5V	6.0±0.5 (150±12)
	2	BLACK	GND	
	3	BLACK	GND	
	4	YELLOW	+12V	

NOTE:

P1:
HOUSING: MOLEX 39-01-2200 OR EQU
TERMINAL: MOLEX 39-00-0060

P2:
HOUSING: MOLEX 39-01-3042 OR EQU
TERMINAL: MOLEX 39-00-0060

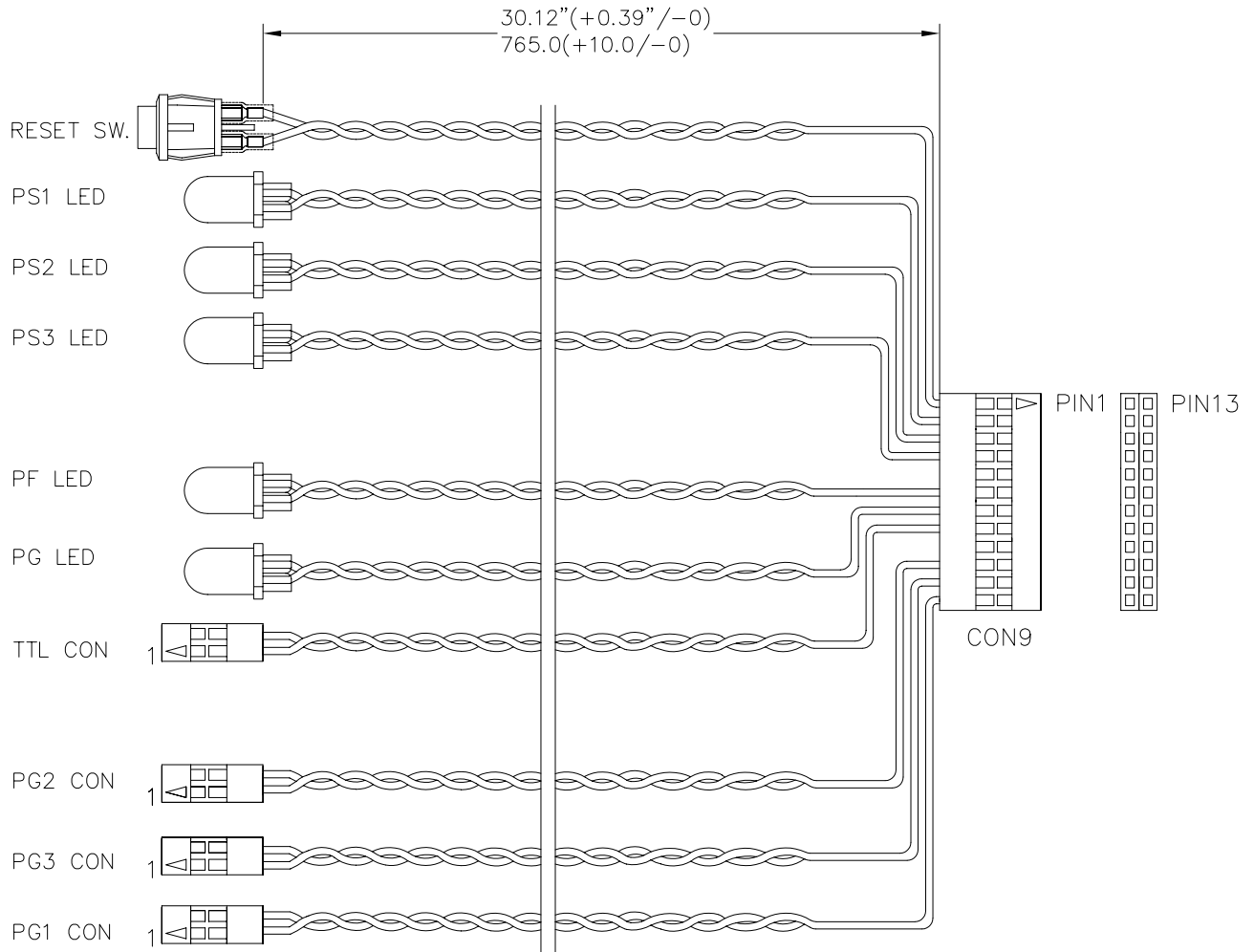
PA,PB,PC,PD,PE:
HOUSING: AMP 1-480424-0 OR EQU
TERMINAL: AMP 60619-4

PF:
HOUSING: AMP 171822-4 OR EQU
TERMINAL: AMP 170262-2

CON10: WST P5-I25004 OR EQU

ALL TERMINALS ARE PHOS. BRONZE, PRE-TIN

	APPROVED	CHECKED	DRAWING NO.	UNIT	REV.
	TUNGPO	JASPER	R-G-6-01	INCHES(MM)	
TITLE	DESIGNED	DRAWING	MODEL NO.	TOLERANCES:	SHEET
PRB SERIES - ATX 6 O/P CABLE	CHEFON	JOLN	PRB630MV	.X= ±0.2 .XX= ±0.15	1/1



CON9

PIN	COLOR	OUTPUT	PIN	COLOR	OUTPUT
1	BLACK	187T TO RESET SW.	13	RED	187T TO RESET SW.
2	BLACK	PS1 LED-	14	YELLOW	PS1 LED+
3	BLACK	PS2 LED-	15	GREEN	PS2 LED+
4	BLACK	PS3 LED-	16	RED	PS3 LED+
5	NC	NC	17	NC	NC
6	BLACK	PF LED-	18	BLUE	PF LED+
7	BLACK	PG LED-	19	ORANGE	PG LED+
8	BLACK	TTL CON PIN2	20	WHITE	TTL CON PIN1
9	NC	NC	21	NC	NC
10	BLACK	PG2 CON PIN2	22	YELLOW	PG2 CON PIN1
11	BLACK	PG3 CON PIN2	23	RED	PG3 CON PIN1
12	BLACK	PG1 CON PIN2	24	GREEN	PG1 CON PIN1

NOTES:
BUZZER RESET SWITCH, PF LED, PG LED MOUNT ON THE CAGE

NOTES:
1.TTL,PG1,PG2,PG3: MOLEX 50579002(70066) OR EQU.
2.CON9: MOLEX 22-55-2241(70450) OR EQU.
3.RESET SW.: JEC JS-756B OR EQU.
4.PS1,PS2,PS3,PF,PG: LED SPEC.-ø5.0 GREEN.
5.WIRE SPEC.: UL 1007 24AWG 80°C 300V.

	APPROVED	CHECKED	DRAWING NO.	UNIT	REV.
	TUNGPO	JASPER	S-06	INCHES(MM)	
TITLE	DESIGNED	DRAWING	MODEL NO.	TOLERANCES:	SHEET
PRB SERIES-SIGNAL O/P CABLE (2+1-J5)	CHEFON	JOLN	PRB 2+1-J5	.X= ±0.2 .XX= ±0.15	1/1