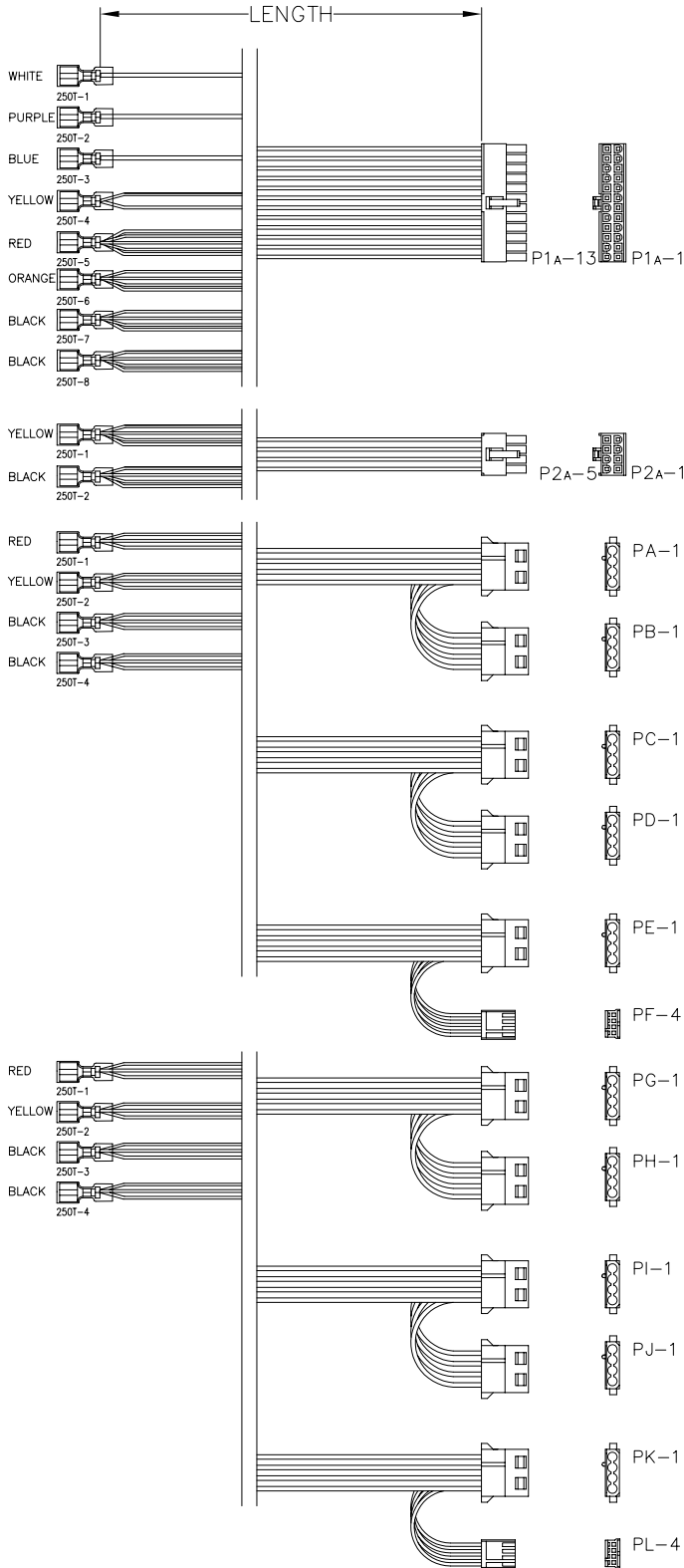


FIG-1: DC OUTPUT CONNECTOR



| CONN                    | PIN            | WIRE COLOR | OUTPUT    | LENGTH               |      |                     |
|-------------------------|----------------|------------|-----------|----------------------|------|---------------------|
| P1A                     | 1              | ORANGE     | +3.3V, S+ | 20.0±1.0<br>(510±25) |      |                     |
|                         |                | ORANGE     | +3.3V     |                      |      |                     |
|                         | 2              | ORANGE     | +3.3V     |                      |      |                     |
|                         | 3              | BLACK      | GND       |                      |      |                     |
|                         | 4              | RED        | +5V       |                      |      |                     |
|                         | 5              | BLACK      | GND       |                      |      |                     |
|                         | 6              | RED        | +5V       |                      |      |                     |
|                         | 7              | BLACK      | GND       |                      |      |                     |
|                         | 8              | GRAY       | PG        |                      |      |                     |
|                         | 9              | PURPLE     | +5Vsb     |                      |      |                     |
|                         | 10             | YELLOW     | +12V      |                      |      |                     |
|                         | 11             | YELLOW     | +12V      |                      |      |                     |
|                         | 12             | ORANGE     | +3.3V     |                      |      |                     |
|                         | 13             | ORANGE     | +3.3V     |                      |      |                     |
|                         | 14             | BLUE       | -12V      |                      |      |                     |
|                         | 15             | BLACK      | GND       |                      |      |                     |
|                         | 16             | GREEN      | PS-ON     |                      |      |                     |
|                         | 17             | BLACK      | GND       |                      |      |                     |
|                         | 18             | BLACK      | GND       |                      |      |                     |
|                         | 19             | BLACK      | GND       |                      |      |                     |
|                         | 20             | WHITE      | -5V       |                      |      |                     |
|                         | P2A            | 21         | RED       |                      | +5V  | 6.0±0.5<br>(150±12) |
|                         |                |            | RED       |                      | +5Vs |                     |
|                         |                | 22         | RED       |                      | +5V  |                     |
| 23                      |                | RED        | +5V       |                      |      |                     |
| PA,PC<br>PE,PG<br>PI,PK | 24             | BLACK      | GND       | 6.0±0.5<br>(150±12)  |      |                     |
|                         |                | BLACK      | GND       |                      |      |                     |
|                         |                | BLACK      | GND       |                      |      |                     |
|                         |                | BLACK      | GND       |                      |      |                     |
|                         | PB,PD<br>PH,PJ | 1          | YELLOW    |                      | +12V | 6.0±0.5<br>(150±12) |
|                         |                |            | BLACK     |                      | GND  |                     |
|                         |                | 2          | BLACK     |                      | GND  |                     |
|                         |                |            | BLACK     |                      | GND  |                     |
| PF,PL                   | 3              | BLACK      | GND       | 6.0±0.5<br>(150±12)  |      |                     |
|                         |                | RED        | +5V       |                      |      |                     |
|                         | 4              | RED        | +5V       |                      |      |                     |
|                         |                | YELLOW     | +12V      |                      |      |                     |

NOTE:

P1A:  
 HOUSING: MOLEX 39-01-2240 OR EQU  
 TERMINAL: MOLEX 39-00-0060

P2A:  
 HOUSING: MOLEX 39-01-2080 OR EQU  
 TERMINAL: MOLEX 39-00-0060

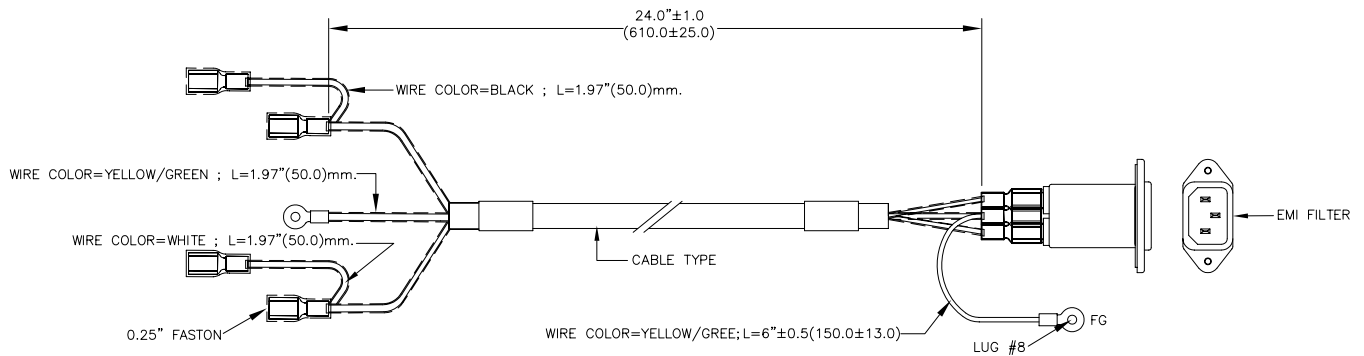
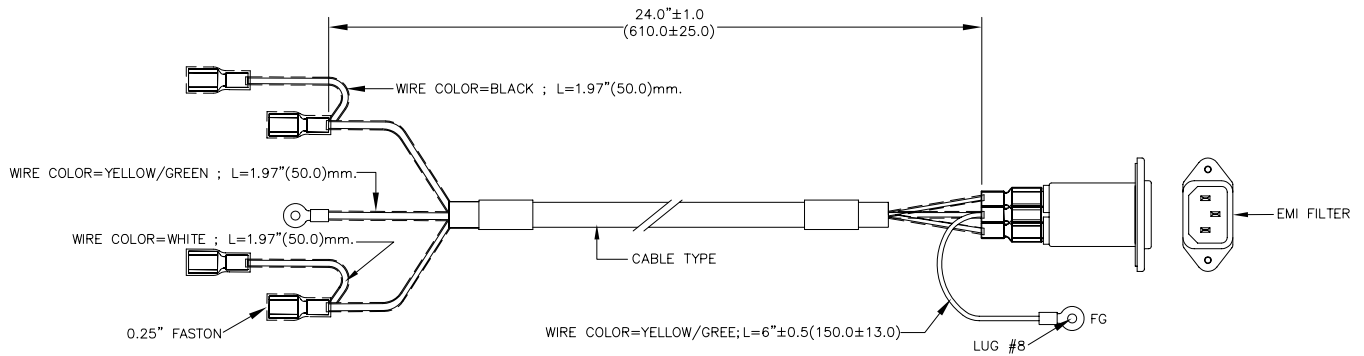
PA,PB,PC,PD,PE:  
 HOUSING: AMP 1-480424-0 OR EQU  
 TERMINAL: AMP 60619-4

PF:  
 HOUSING: AMP 171822-4 OR EQU  
 TERMINAL: AMP 170262-2

CON10: WST P5-I25004 OR EQU

ALL TERMINALS ARE PHOS. BRONZE, PRE-TIN

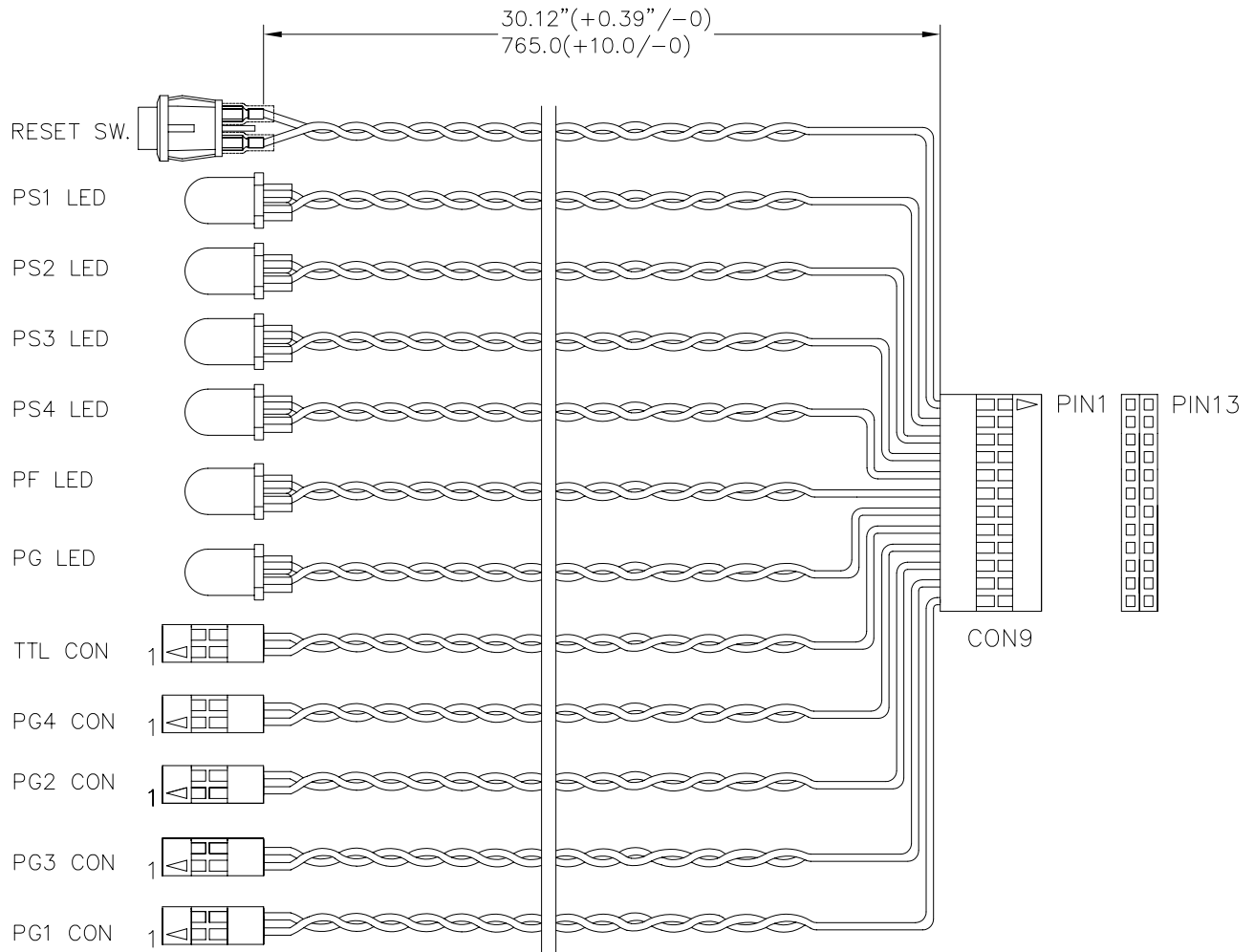
|                              |          |         |             |                        |       |
|------------------------------|----------|---------|-------------|------------------------|-------|
|                              | APPROVED | CHECKED | DRAWING NO. | UNIT                   | REV.  |
|                              | TUNGPO   | JASPER  | R-E-6-02    | INCHES(MM)             |       |
| TITLE                        | DESIGNED | DRAWING | MODEL NO.   | TOLERANCES:            | SHEET |
| PRB SERIES - ATX 6 O/P CABLE | CHEFON   | JOLN    | PRB650QV    | .X= ±0.2<br>.XX= ±0.15 | 1/1   |



NOTE:

1. EMI FILTER: 10GEEG3E(SE) (Delta).
2. 0.25" FASTON: STO-61T-250N(JST).
3. CABLE TYPE: UL 2464 18AWG 80°C 300V.
4. GND LUG: B40403BS-2(WST) OR EQU.

|                                 |          |         |             |                           |       |
|---------------------------------|----------|---------|-------------|---------------------------|-------|
|                                 | APPROVED | CHECKED | DRAWING NO. | UNIT                      | REV.  |
|                                 | TUNGPO   | JASPER  | A-10        | INCHES(MM)                |       |
| TITLE                           | DESIGNED | DRAWING | MODEL NO.   | TOLERANCES:               | SHEET |
| PRB SERIES - AC I/P CABLE (3+1) | CHEFON   | JOLN    | PRB650QV-J3 | .X = ± 0.2<br>.X = ± 0.15 | 1/1   |



CON9

| PIN | COLOR | OUTPUT            | PIN | COLOR  | OUTPUT            |
|-----|-------|-------------------|-----|--------|-------------------|
| 1   | BLACK | 187T TO RESET SW. | 13  | RED    | 187T TO RESET SW. |
| 2   | BLACK | PS1 LED-          | 14  | YELLOW | PS1 LED+          |
| 3   | BLACK | PS2 LED-          | 15  | GREEN  | PS2 LED+          |
| 4   | BLACK | PS3 LED-          | 16  | RED    | PS3 LED+          |
| 5   | BLACK | PS4 LED-          | 17  | BROWN  | PS4 LED+          |
| 6   | BLACK | PF LED-           | 18  | BLUE   | PF LED+           |
| 7   | BLACK | PG LED-           | 19  | ORANGE | PG LED+           |
| 8   | BLACK | TTL CON PIN2      | 20  | WHITE  | TTL CON PIN1      |
| 9   | BLACK | PG4 CON PIN2      | 21  | BROWN  | PG4 CON PIN1      |
| 10  | BLACK | PG2 CON PIN2      | 22  | YELLOW | PG2 CON PIN1      |
| 11  | BLACK | PG3 CON PIN2      | 23  | RED    | PG3 CON PIN1      |
| 12  | BLACK | PG1 CON PIN2      | 24  | GREEN  | PG1 CON PIN1      |

NOTES:

- 1.TTL,PG1,PG2,PG3,PG4: MOLEX 50579002(70066) OR EQU.
- 2.CON9: MOLEX 22-55-2241(70450) OR EQU.
- 3.RESET SW.: JEC JS-756B OR EQU.
- 4.PS1,PS2,PS3,PS4,PF,PG: LED SPEC.-Ø5.0 GREEN.
- 5.WIRE SPEC.:UL 1007 24AWG 80°C 300V.

|                                   |          |         |             |                        |       |
|-----------------------------------|----------|---------|-------------|------------------------|-------|
|                                   | APPROVED | CHECKED | DRAWING NO. | UNIT                   | REV.  |
|                                   | TUNGPO   | JASPER  | S-03        | INCHES(MM)             |       |
| TITLE                             | DESIGNED | DRAWING | MODEL NO.   | TOLERANCES:            | SHEET |
| PRB SERIES-SIGNAL O/P CABLE (3+1) | CHEFON   | JOLN    | PRB 3+1     | .X= ±0.2<br>.XX= ±0.15 | 1/1   |